

# D SERIES DRUM FILTER CART



## All-In-One Convenience!

All-in-one convenience is what the DC-D Drum filter cart is all about. The simple practicality of this cart allows the operator to dispense and filter oil out of a 55 gallon drum on wheels. A magnetic kickstand adds stability and ensures the drum will not tip over. The drum filter cart has ability to filter oil viscosities up to 600cSt (ISO VG 680) at 100F within ambient temperature ranges of -15F to 150F. All Y2K products are 100% customizable upon request.

## Typical Applications

- Pre-filtering new oil
- Transferring oils
- Topping off reservoirs
- Dispensing new oil

**Y2K**  
**FLUID POWER**

**FLUID POWER**



3620 North Lewis Ave., Sioux Falls, SD 57104 | 888.925.8882 | [y2kfluidpower.com](http://y2kfluidpower.com)

A DIVISION OF DAKOTA FLUID POWER, INC.



# D SERIES DRUM FILTER CART

Don't see the options you need?  
Contact Y2K at 1(888) 925-8882  
or sales@y2kfluidpower.com

## Performance:

For filtering mineral and synthetic based oils (hydraulic oils, gear oils and turbine oils) with a maximum operating viscosity range of ISO VG 680 (3000ssu/648cSt) at 100°F within ambient temperature ranges of -15°F to 150°F.

## Standard Features:

### Materials:

- Frame: Carbon steel with magnetic kickstand
- Paint: Multiple color options available
- Motor: 1HP, 115vac, 60Hz or Pneumatic
- Filter Heads: Medium pressure, cast aluminum heads
- Pump: Heavy duty, cast steel gear pump. Available in 1, 2, 5 and 10 GPM
- Connections: Various quick connect options available
- Hoses: 7ft. Clear PVC, steel reinforced hose or hydraulic hose
- Power Switch: Sealed On/Off Power Switch

### Filter Indicators:

- Slide bar differential indicators trigger at 50 psid when elements need to be changed

### Pump Relief:

- Opens at 150psi

### Weight:

- Approx. 145lbs (will vary depending on options)

### Dimensions:

- Approx. 23"L x 21"W x 59"H

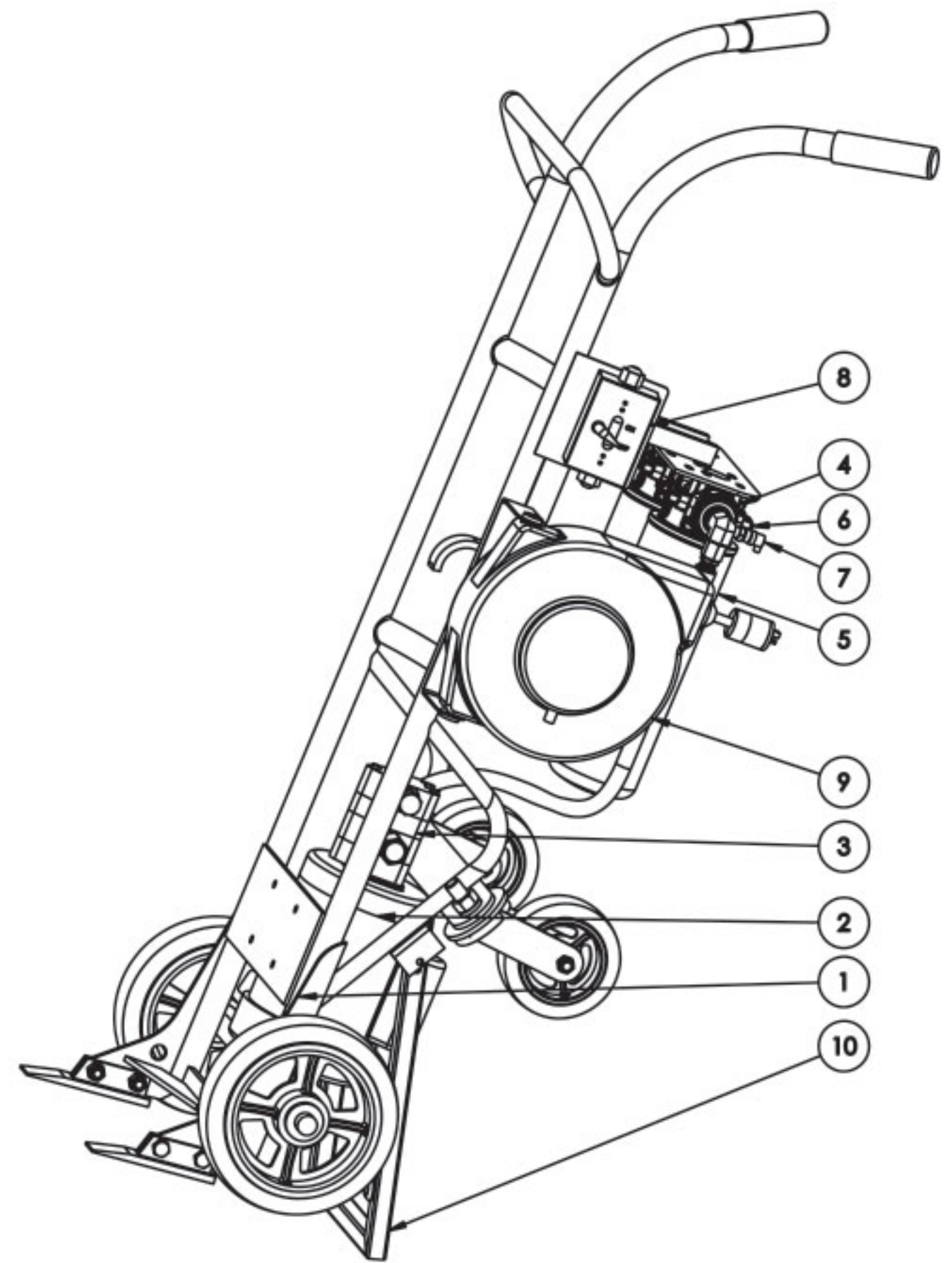
## Replacement Elements:

Part Number	BETA Rating	Desired Cleanliness Level (ISO Code)
P1066	β4(c)=2000	14/12/9 - 13/11/8
P1065	β7(c)=2000	18/16/13 - 15/13/10
P1063	β10(c)=1000	19/17/14 - 18/16/13
P1064	β25(c)=2000	20/18/15 - 19/17/14
P1048WR	Water Removal	

All D Series elements measure 5" x 14".

## Components:

Item Number	Description	Qty.
1	Heavy Duty Drum Cart	1
2	Motor	1
3	Gear Pump	1
4	Filter Head	2
5	Filter Element	2
6	Filter Indicator	2
7	Sample Port	2
8	Switch On/Off	1
9	Cord Reel	1
10	Kick Stand	1



**Y2K**  
**FLUID POWER**

**FLUID POWER**



3620 North Lewis Ave., Sioux Falls, SD 57104 | 888.925.8882 | y2kfluidpower.com

A DIVISION OF DAKOTA FLUID POWER, INC.