



A DIVISION OF DAKOTA FLUID POWER, INC.

## M SERIES FILTERPAK™

### Convenient & Compact

Perfect for situations with minimal storage space, the FP-M FilterPak™ combines style and convenience in a compact design that allows the operator to carry it just about anywhere. This powerhouse has the ability to filter oil viscosities up to 600cSt (ISO VG 680) at 100°F within ambient temperature ranges of -15°F to 150°F. All Y2K products are 100% customizable upon request.

### Typical Applications:

- Filtering contaminated system
- Flushing new or repaired systems
- Pre-filtering new oil
- Transferring oils
- Topping off reservoirs
- Dispensing new oil



# M SERIES FILTERPAK™

## Performance:

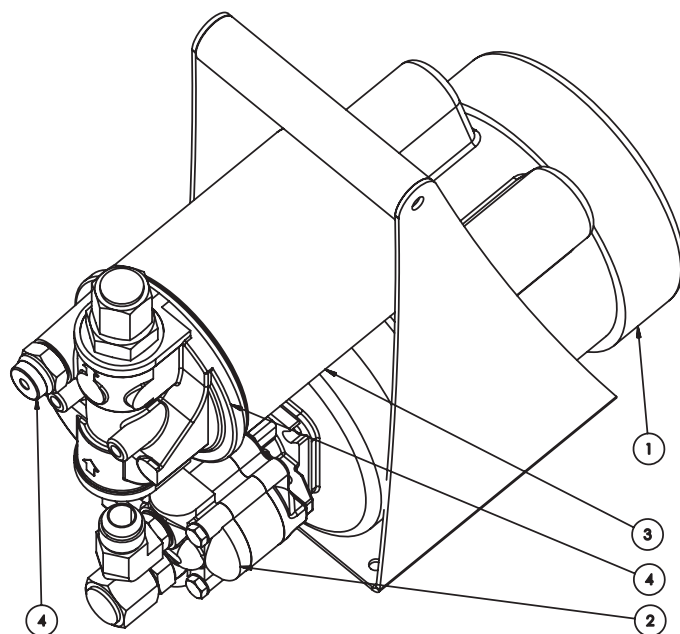
For filtering mineral and synthetic based oils (hydraulic oils, gear oils and turbine oils) with a maximum operating viscosity range of ISO VG 680 (3000ssu/648cSt) at 100 °F within ambient temperature ranges of -15 °F to 150 °F.

## Standard Features:

<b>Frame:</b>	Heavy duty, diamond plated aluminum frame
<b>Motor:</b>	1/2HP or 1HP, 115vac, 60Hz or Pneumatic
<b>Filter Heads:</b>	Aluminum heads
<b>Pump:</b>	Aluminum gear pump. Available in 2, 5 and 10 GPM.
<b>Connections:</b>	Various quick connect options available
<b>Hoses:</b>	7ft Clear PVC, steel reinforced hose or hydraulic hose
<b>Power Switch:</b>	On/off toggle switch
<b>Cord:</b>	4ft. cord
<b>Filter Indicators:</b>	Pop up indicator triggers at 50 psid when elements need to be changed.
<b>Pump Relief:</b>	Opens at 150psi
<b>Weight:</b>	Approx. 50 lbs (will vary depending on options)
<b>Dimensions:</b>	Approx. 8"L x 16"W x 16"H

## Components:

Item Number	Description	Qty.
1	Motor	1
2	Pump	1
3	Filter Element	1
4	Filter Head	1
5	Filter Indicator	1



## Replacement Elements:

Part Number	BETA Rating	Desired Cleanliness Level (ISO Code)
P1068	β3(c)=1000	14/12/9 - 13/11/8
P1069	β6(c)=1000	17/15/12 - 14/12/9
P1070	β10(c)=1000	18/16/13 - 17/15/12
P1071	β25(c)=1000	21/19/16 - 20/18/15
P1072WR	Water Removal	

All M Series elements measure 5" x 10".